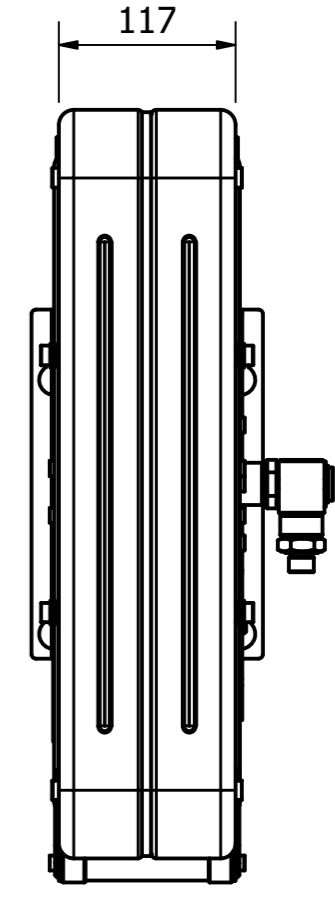
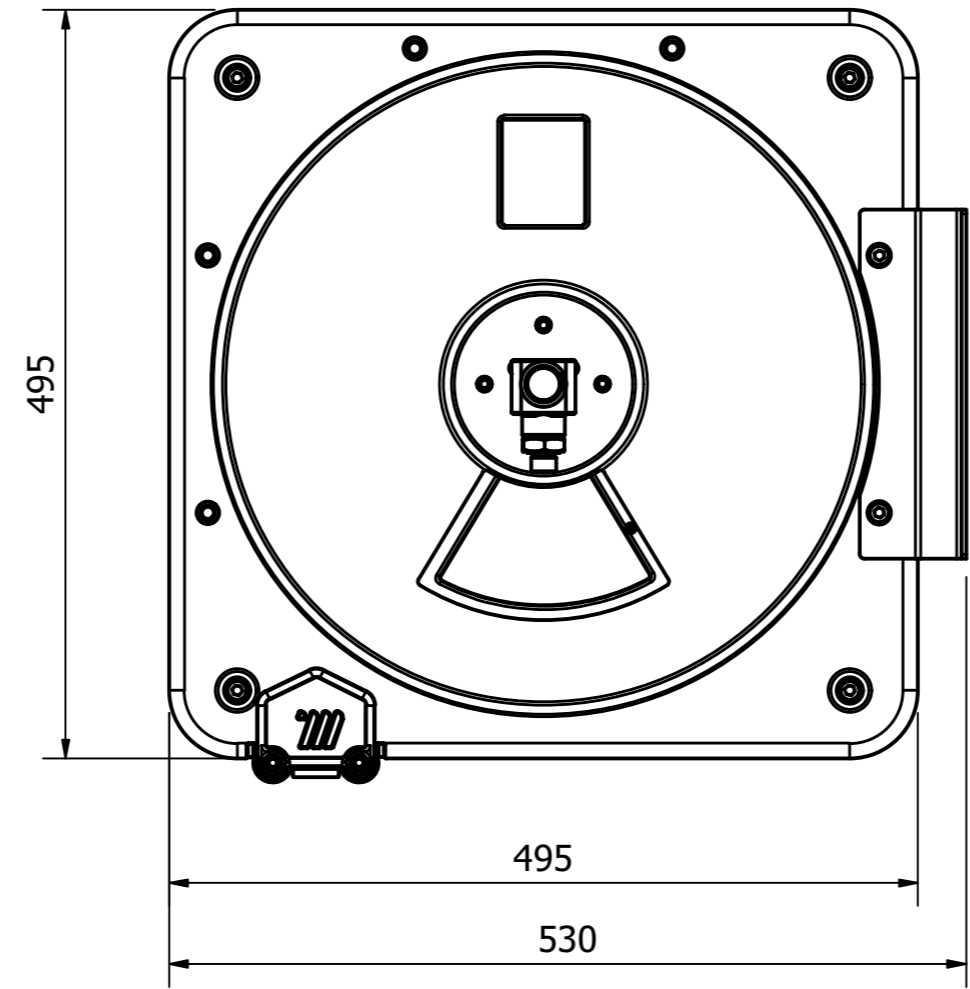
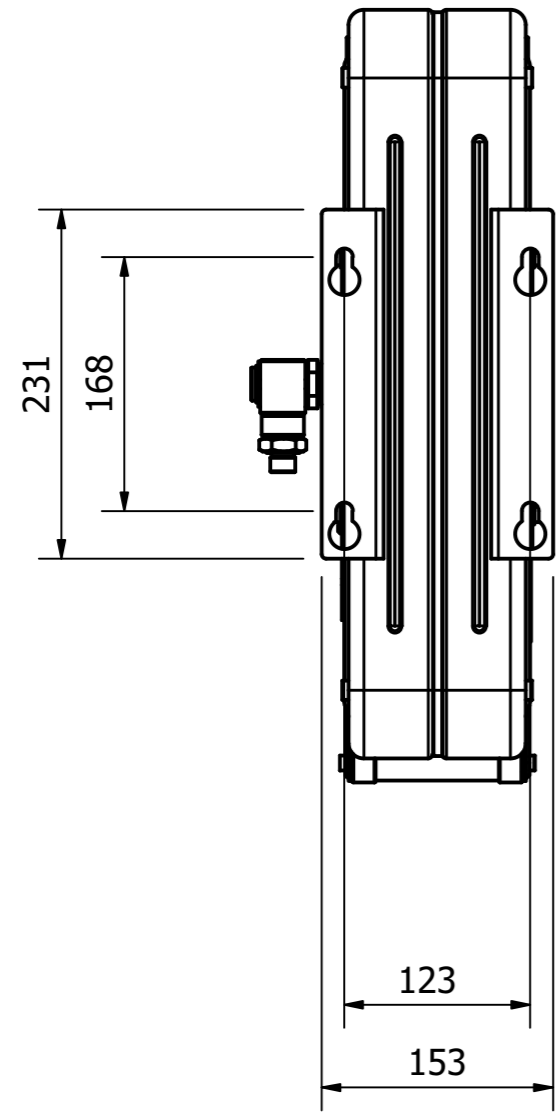
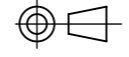


REVISION		
REV.	DESCRIPTION	DATE



MATERIAL:	
FINISH:	
SCALE:	1:5 AT A3 © ALL INTELLECTUAL PROPERTY RIGHTS RESERVED
TOLERANCES:	DIMENSIONS 2 DECIMAL PLACES (10.00) ±0.1mm DIMENSIONS 1 DECIMAL PLACE (10.0) ±0.2mm DIMENSIONS 0 DECIMAL PLACES (10.) ±0.5mm



**ReCoila**  
 Unit 1/10 Melissa Place  
 Kings Park NSW 2148  
 Australia  
 WWW.RECOILA.COM

Ph: 61 2 9621 8988  
 Fx: 61 2 9621 7688  
 sales@recoila.com

ISSUED FOR: REFERENCE	APPROVED:
<b>MODEL CF-500 / CFX-500</b>	
DRAWING: - .0	DATE: 22/06/2021
NUMBER - PART REV. DWG REV	SHEET 1 OF 1